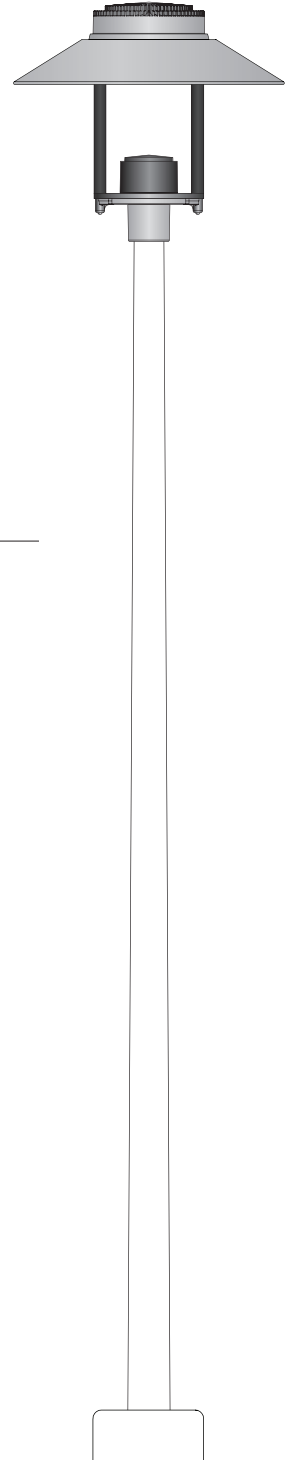


Date: _____ Customer: _____
 Project: UH Campus Standard
 Type: Fixture Qty: _____



Saturn Cutoff 2 LED



Order Code: SAC2L - _____ - 1 - _____ - 40 - 14 - BK - _____ - CN196303 - _____

Pole Order Code: _____ - _____ - _____ - _____
 Series Height Finish Options

<u>SAC2L</u>	Series	<u>SAC2L</u> Saturn 2 Cutoff LED							
_____	Optics	<u>R1</u> Type I	<u>R2</u> Type II	<u>R3</u> Type III	<u>R3W</u> Type III (Wide)	<u>R4</u> Type IV	<u>R5R</u> Type V (Round)	<u>R5S</u> Type V (Square)	<u>R5Q</u> Type V (Rectangular)
<u>1</u>	Mounting	<u>1</u> Single							
_____	Light Engine	<u>5G450</u> 39W/4352lm	<u>5G700</u> 62W/6537lm	<u>5G105</u> 94W/9101lm					
<u>40</u>	CCT	<u>40</u> 4000K, 90CRI							
<u>14</u>	Power Cord Length	<u>14</u> 14'							
<u>BK</u>	Finish	<u>BK</u> Black							
_____	Voltage	<u>120</u> 120V	<u>208</u> 208V	<u>240</u> 240V	<u>277</u> 277V				
<u>CN196303</u>	Custom	<u>SAC2L, Gen5, 4000K, 90CRI, LED Light Engine</u>							
_____	Options	<u>HS*</u> House Side Shield (180°)					* For special use only—restricted to light fixtures located close to a building. Compatible with optics Type I, II, III, and IV only.		

Product Modifications

Please list modification requirements for review by factory:

Approvals

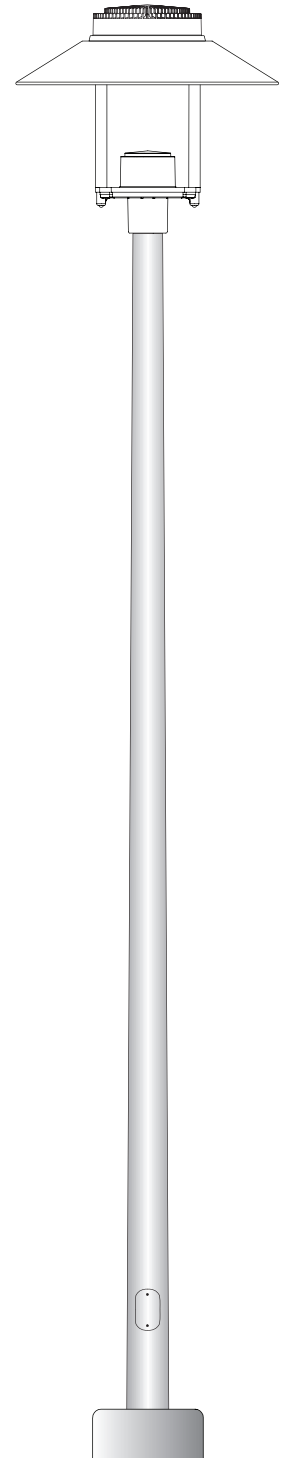
Date: _____



Date: _____ Customer: _____
 Project: UH Campus Standard
 Type: Pole Qty: _____

selux

AT535188 5"-3 1/2"
Round Tapered Aluminum Pole



Order Code: AT535188 - 13 - BK - BC - HB - CN226590A - _____ - _____ - _____

<u>AT535188</u>	Series	AT535188 5"-3 1/2" Round Tapered Aluminum Pole
<u>13</u>	Height	13 13'
<u>BK</u>	Finish	BK Black
<u>BC</u>	Base Cover	BC Aluminum Base Cover
<u>HB</u>	Custom	Hinged Pole
<u>CN226590A</u>	Custom	CN226590A Project Specific Base Cover for University of Houston Campus Standard
_____	Option	REC GFCI Receptacle with Weatherproof Cover
_____	Option	PC Photocell PC - CN205065 - Use of photocells requires written approval of UH Facilities Planning and Electrical Shop
_____	Option	2BBA24* 24" Breakaway Banner Arms * For limited use only - restricted to light poles along campus roads and along combined fire lanes/pedestrian ways. The addition of banner arms requires approval of the University Architect and the Division of University Marketing and Communications. Only two banner arms (one banner) are permitted on a pole.

Product Modifications

Please list modification requirements for review by factory:

Approvals

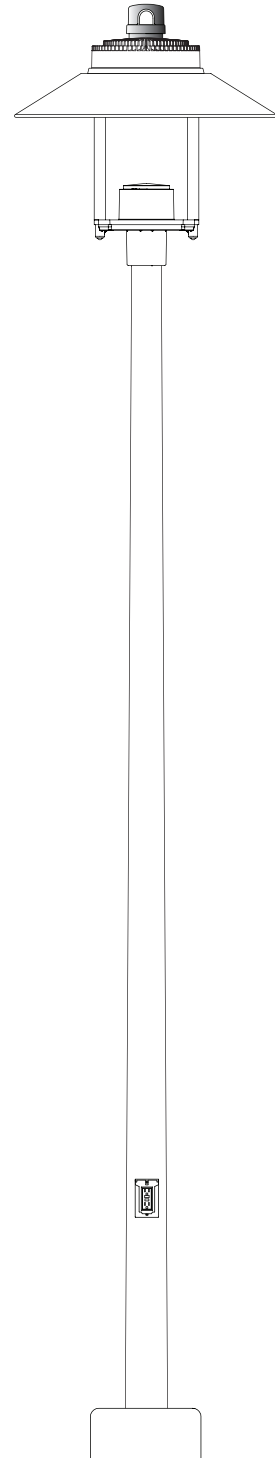
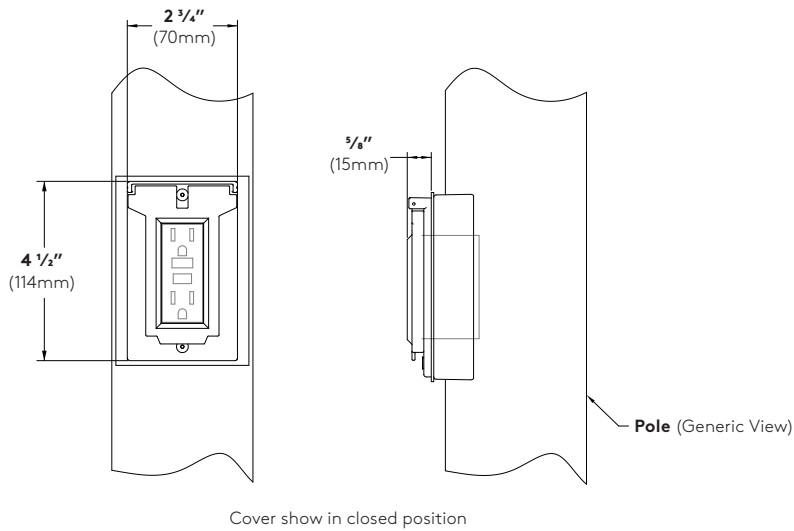
Date: _____



Optional Accessories

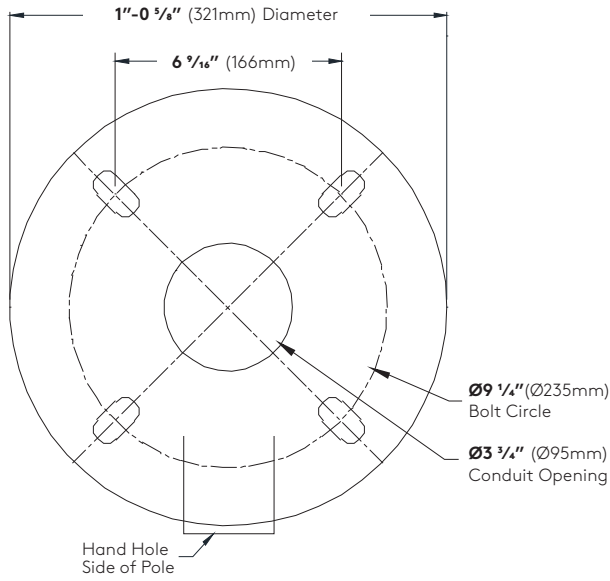
GFCI Receptacle (REC)

120V 15A GFCI duplex receptacle with weather-proof, self-closing cover; located 36" (915mm) from base of pole, inline with handhole. Receptacle is intended only for portable tools or other portable equipment to be connected to outlet only when attended by operating personnel.

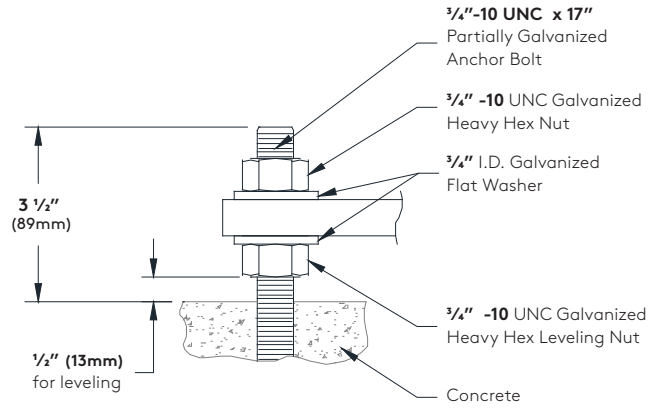


Bolt Circle

Use caution when setting anchor bolts. Bolts must be vertically straight and centered on dimensions shown.



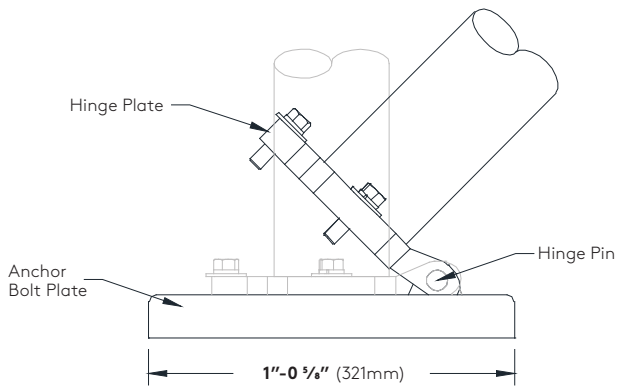
Anchor Bolt Detail



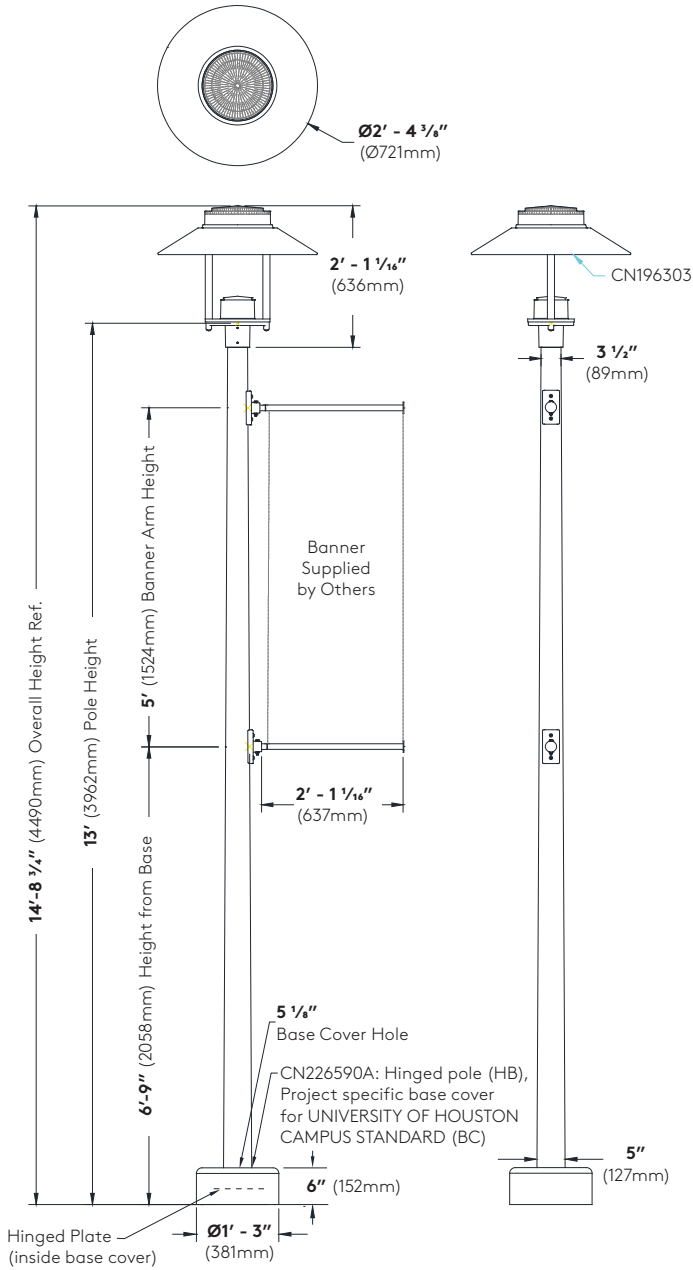
Bolt Circle Details (not to scale)

Base = Ø1'-0 5/8" circle
 Pole = Ø5-3 1/2" taper
 Bolt Circle = Ø9 1/4"
 Conduit Hole = Ø3 3/4"
 For Standard Anchor Bolt = Ø3/4"-17"
 Anchor Bolt Projection = 3 1/2"

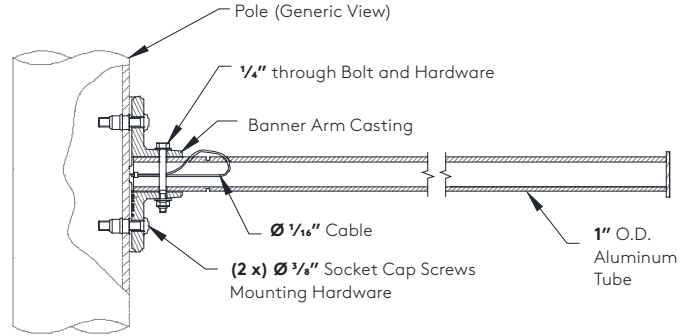
Anchor Bolt Hinge Plate Detail



Fixture and Pole Details



Breakaway Banner Arm Detail



Note: Base cover shall rest directly on top of concrete footing and fully cover anchoring hardware. Adjust leveling nuts and trim excess anchor bolt projection as required.