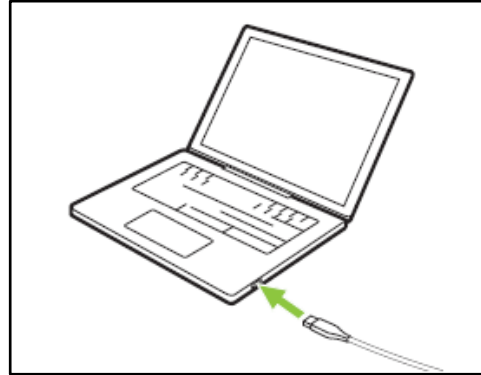


## Jabra Engage 65 Wireless Headset

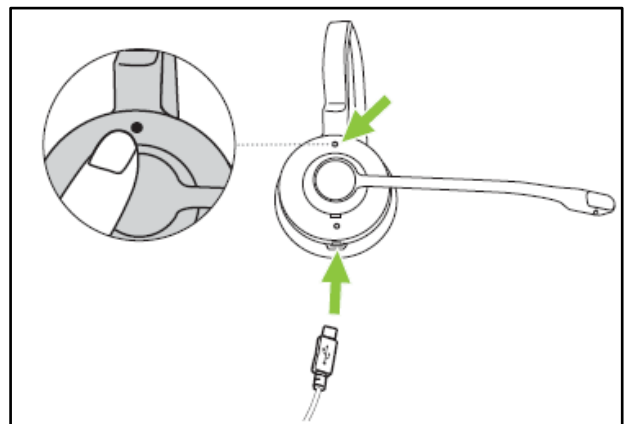
### Connecting the headset

#### Connect the headset directly to a computer

1. Plug the supplied micro-USB cable into an available USB port on your computer.

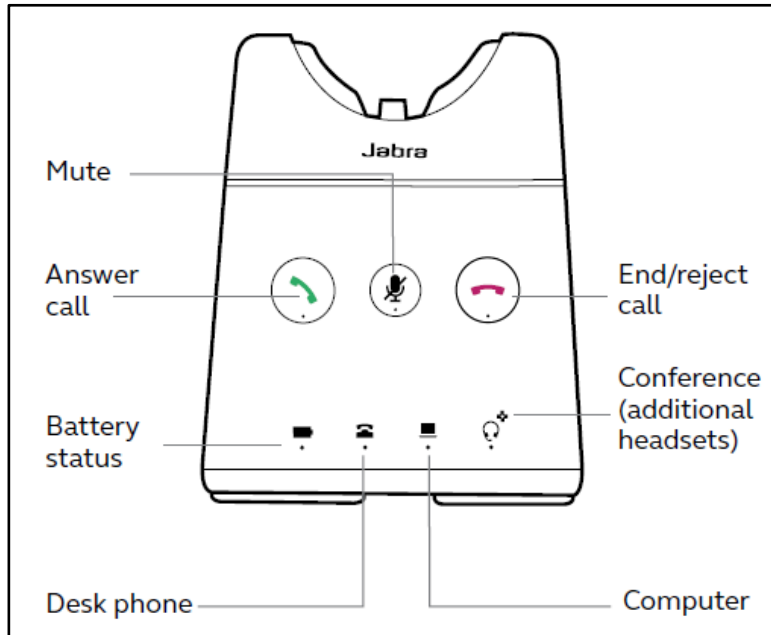


2. Press and hold the Volume up button on the headset while simultaneously plugging the micro-USB cable into the headset. Once the LED on the headset stops flashing green, release the button.



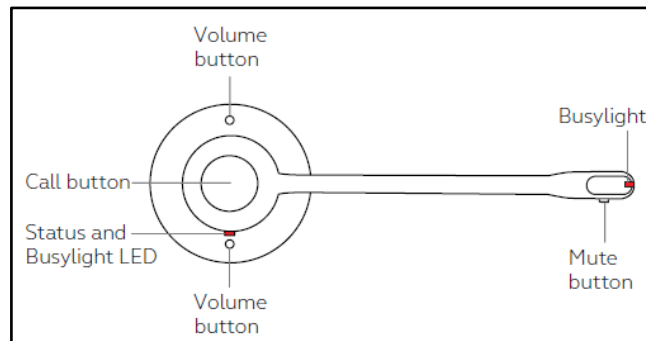
3. The headset can now be selected as an audio playback device on the computer.

### Headset Base Overview



### How to use the Headset

#### Stereo/Mono headset overview



#### Convertible headset overview

